

Vibratory Tamper SRV 660

An all-round talent for the most demanding requirements: the vibratory tamper SRV 650. Its core consists of a new 4-stroke gasoline engine from Subaru, which makes the SRV 650 a particularly lightweight but nevertheless powerful machine.

High engine power

For soil compaction in sewage and trench construction, for the compaction of backfills or for landscaping applications, the SRV 650 is always the right choice. Its four-stroke gasoline engine from Subaru has been specifically developed for vibratory tampers. During start-up and operation, an incorporated oil sensor monitors the oil pressure and automatically turns off the engine, if there is a lack of oil.

Utmost tamping output

The SRV 660 excels with its outstanding tamping output and the proven and durable tamping system. The machine offers maximum reliability thanks to an efficient air filter system with cyclone pre-cleaner as well as the highly wear-resistant components which are perfectly matched to each other. Minimum hand/arm vibrations as well as useful carrying handles and rolls for transporting the tamper ensure a unique operation comfort.



Advantages

- ▶ High tamping outputs.
- ▶ A durable tamping system with an active oil lubrication, providing reliable oil support to all components in the crankcase.
- ▶ Damage to the tamping system is being prevented through block impact protection.
- ▶ High wear resistance thanks to special material treatment processes such as the ceramic-like coating applied on the guide cylinder.
- ▶ Highly efficient air filtration systems with cyclone pre-cleaner protect the engine against dirt.
- ▶ High operating comfort through minimized hand/arm vibrations.

Advantages

- ▶ Easy transport through carrying handles and rolls.
- ▶ Maximum reliability due to the use of high-quality materials.
- ▶ Low maintenance efforts.
- ▶ 2 year warranty.

Advantages, 4-stroke gasoline engine (Subaru ER 12)

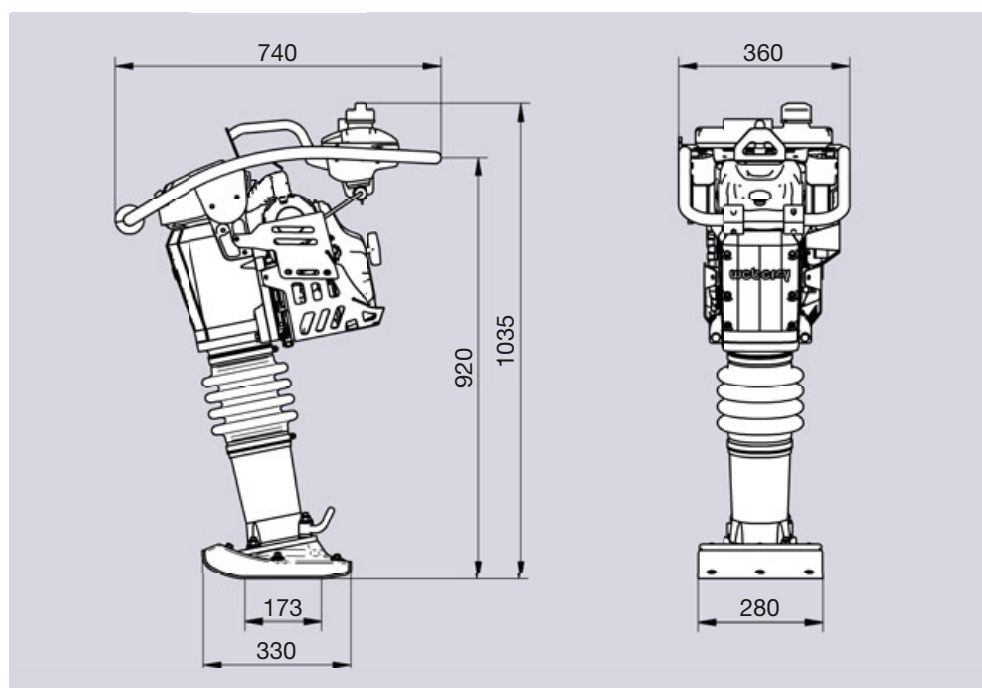
- ▶ During start-up and operation, an oil sensor monitors the oil pressure and turns off the tamper, if there is a lack of oil.
- ▶ An oil pump supplies oil to the crankshaft.

Technical data

Typ		SRV 660
Operating weight CECE	kg (lbs)	70 (154)
Shoe width	mm (in.)	280 (11)
Percussion	per min.	660
Stroke	mm (in.)	70 (2.8)
Engine manufacturer		Subaru ER 12
Engine type		4-stroke gasoline
Engine output max.	kW (HP)	2.9 (4.0)
Power output at operating speed	kW (HP) at r.p.m.	2.6 (3.6) at 3900

Available extras: hour meter.

We reserve the right to alter specifications.



SRV 660

Dimensions in mm.

Weber Maschinentechnik GmbH

Im Boden 5-8 · 57334 Bad Laasphe · Germany · P. O. Box 101465 · 57326 Bad Laasphe · Germany
 Phone +49 (0) 27 54 / 3 98-0 · Fax +49 (0) 27 54 / 3 98-101 · info@webermt.de · www.webermt.de