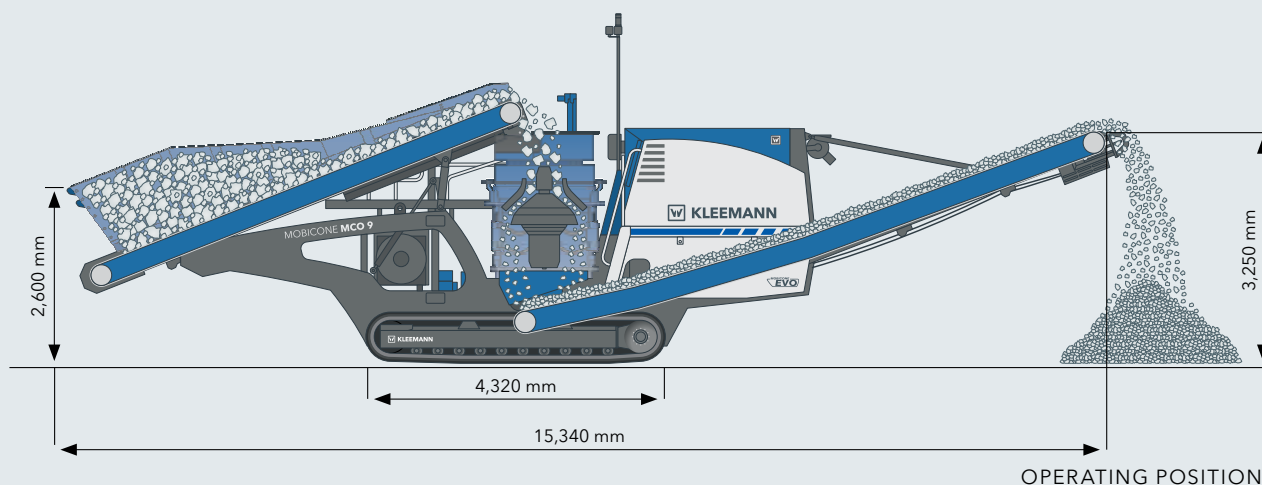


TECHNICAL INFORMATION | TRACK-MOUNTED CONE CRUSHERS

MOBICONE MCO 9/9i EVO





TECHNICAL HIGHLIGHTS

- Cone crusher with bearings and automatic circulation lubrication for high feed capacity and long service life
- Available as secondary or tertiary crusher
- Diesel-direct drive
- Linkage option with other KLEEMANN plants (option)

TECHNICAL INFORMATION MCO 9/9i EVO

Feeding unit

Feed capacity up to approx. (t/h)	270
Feed size max. (mm)	200
Feed height approx. (mm)	2,600
Feed height with extension approx. (mm)	3,100
Hopper volume approx. (m ³)	4.5
Hopper volume with extension approx. (m ³)	5.5
Width x Length approx. (mm)	2,550 x 3,500
Width x Length with extension approx. (mm)	2,550 x 3,800

Feeding conveyor

Width x Length (mm)	1,000 x 6,400
---------------------	---------------

Crusher

Crusher type	cone crusher, KX 200
Crusher system size approx. (mm)	950
Crusher weight approx. (kg)	9,200
Crusher drive approx. (kW)	160, direct
Crushing capacity with CSS = 10 mm approx. (t/h)	117 - 143
Crushing capacity with CSS = 38 mm approx. (t/h)	225 - 275

Crusher discharge conveyor

Width x Length (extended) (mm)	800 x 8,800 (10,400)
Discharge height approx. (extended) (mm)	3,250 (3,795)

Power supply unit

Drive concept	diesel-direct
MCO 9 EVO: Scania (Tier 3/Stage IIIA (kW)	248 (1,500 rpm)
Scania (LRC) (kW)	248 (1,500 rpm)
MCO 9i EVO: Scania (Tier 4f/ Stage IV) (kW)	243 (1,500 rpm)
Generator (kVA)	135 (1,500 rpm)

Dimensions for transport position¹⁾

Transport height approx. (mm)	3,400
Transport length approx. (mm)	16,100
Transport width approx. (mm)	3,000
Transport weight approx. (kg)	29,500

Dimensions for production position¹⁾

Height approx. (mm)	4,060
Length approx. (mm)	15,330
Width approx. (mm)	3,000
Weight approx. (kg)	29,500
Weight (fully equipped) approx. (kg)	32,250

¹⁾ no options

Standard features: Frequency-controlled feeding conveyor / Radio remote control / Control with touch panel / Lockable control cabinet, protected against dust and vibrations / Automatic gap setting / Automatic zero-point detection / Integrated crusher overload protection / CFS: Continuous Feed System for optimal crusher loading / Eye hooks / Spray system for dust reduction / Standard climate package / Lighting

Options: Hopper extension / Magnetic remover / Metal detector to protect cone crusher from metal objects / Extension of crusher discharge conveyor (hydraulically foldable) / Fixture for linking with other Kleemann plants / Crusher equipment: standard or short head, each fine, medium or coarse / Climate packages: Hot or cold package / Camera monitoring / Belt scale / Extended cover for crusher discharge conveyor / External oversize grain returning, can be mounted on right or left / Socket 110V / Track pads for crawler chassis to protect subsurface / Stockpile probe